

Name: _____

Rural Community Diorama

Directions:

Step 1: Color the backdrop and base for the diorama. Write your name on the back.

Step 2: Color the cut outs. Be sure to give the community a name by writing it on the welcome sign.

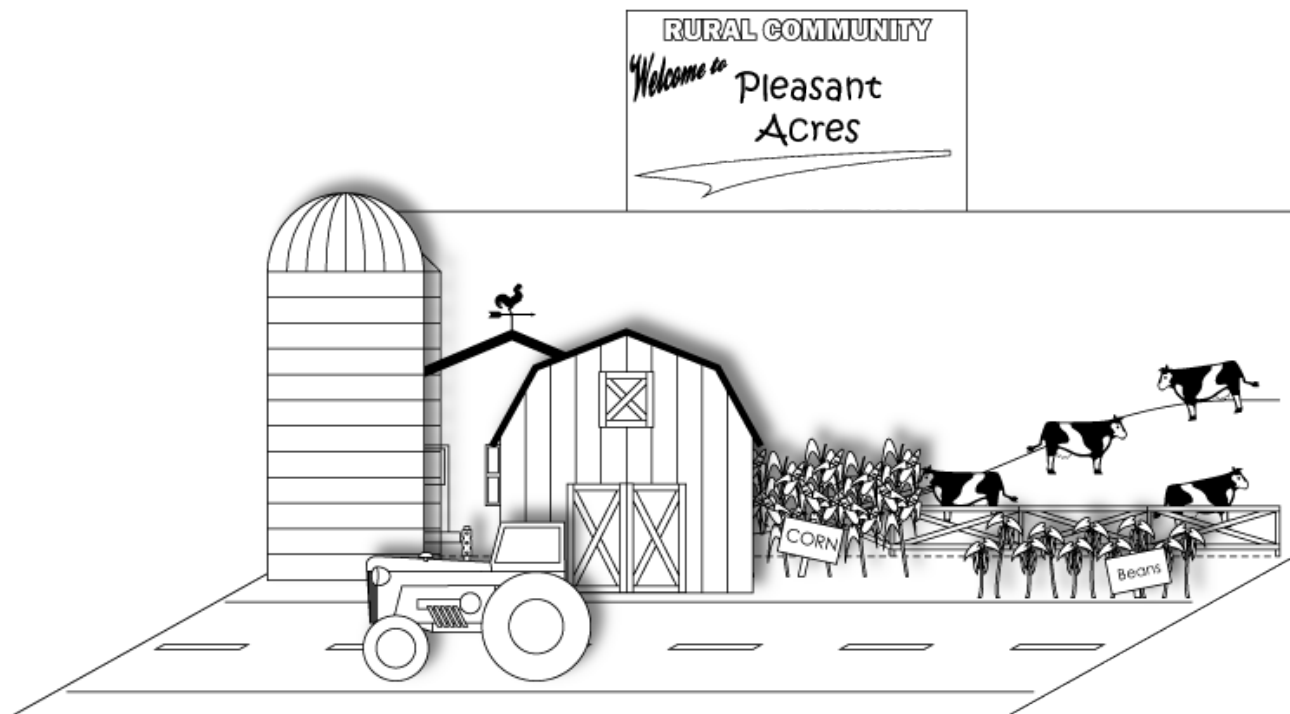
Step 3: Carefully fold the backdrop and base along the **dotted line**.

Step 4: Carefully cut out the pieces along the **dotted lines**.

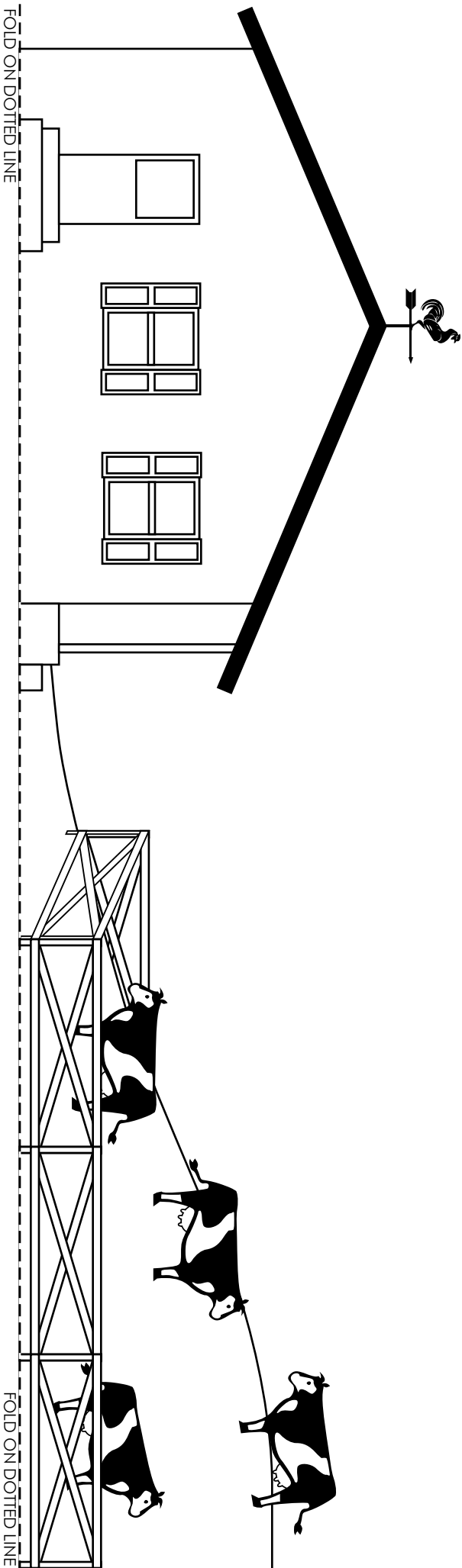
Step 5: Fold the tabs on the tractor, corn, beans, barn, and the silo **backward**.

Step 6: Glue the tabs on each piece to the base of the diorama:

- Glue the tractor to the street.
- Glue the welcome sign to the back of the backdrop making sure it can be seen and read.
- Glue all other cut outs between the street and backdrop.



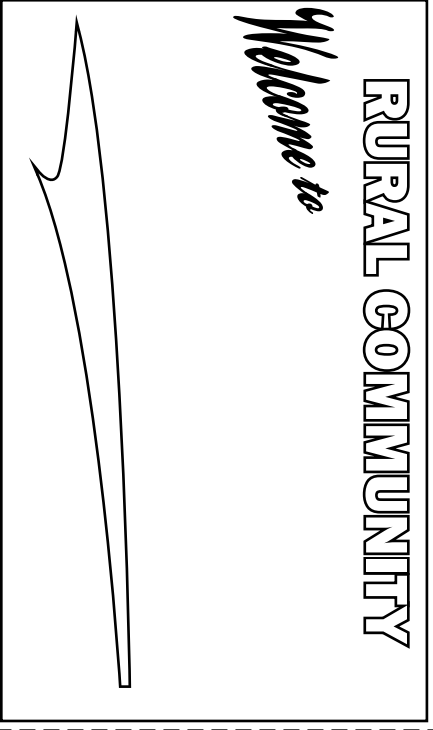
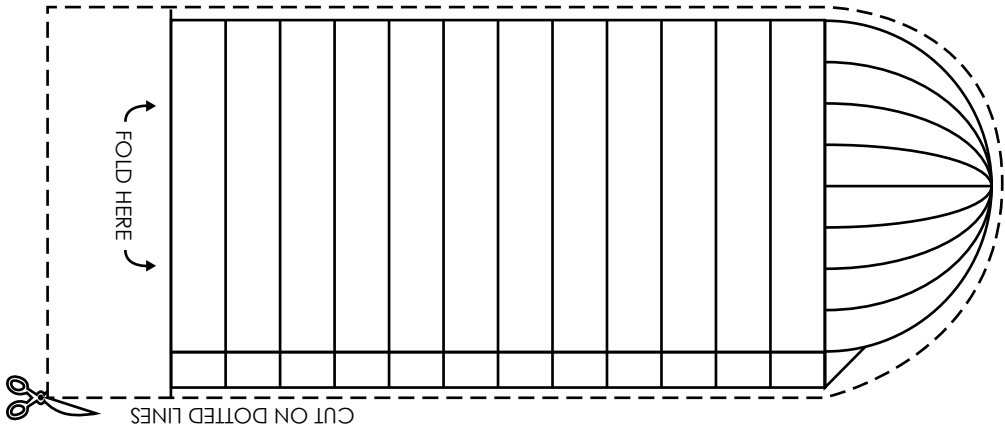
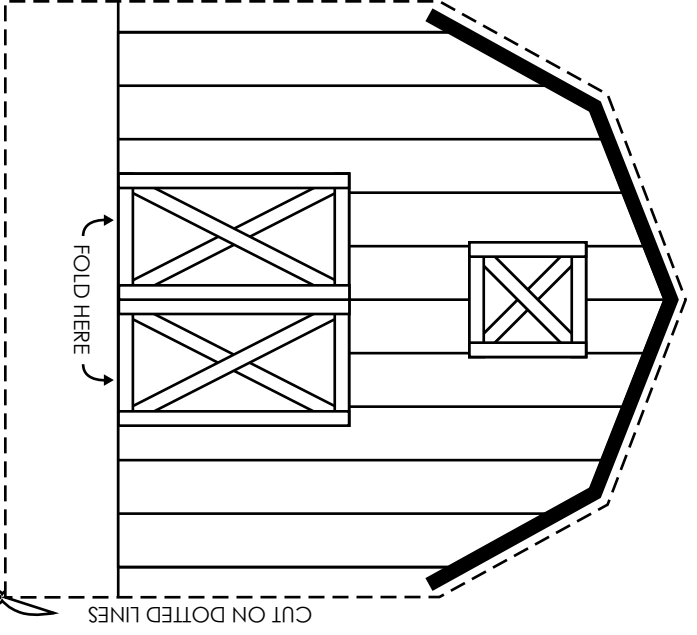
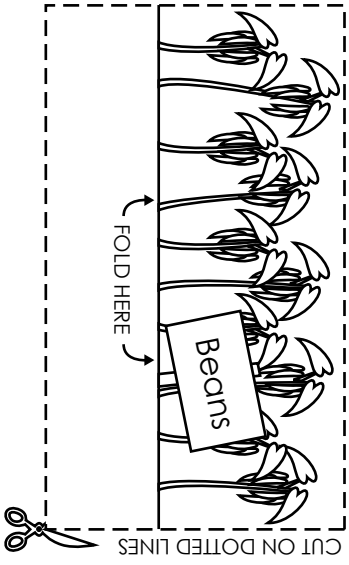
***Note to teachers:** For best results, reproduce the graphics pages on card stock.



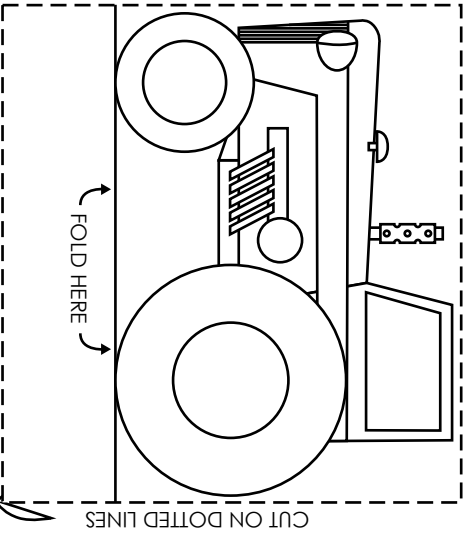
FOLD ON DOTTED LINE

FOLD ON DOTTED LINE

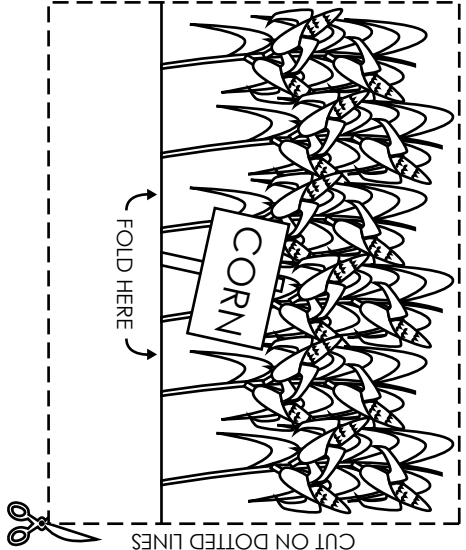




CUT ON DOTTED LINES



CUT ON DOTTED LINES



CUT ON DOTTED LINES

Write a name for your rural community on the sign. Glue this tab to the back of the display. Make sure to glue it high enough to show over the top of the city